

Model 4288-5 Dual Fixed Rack Mounting Kit

Introduction

This packing list contains the parts list and installation information for the Model 4288-5 Dual Fixed Rack Mounting Kit. The kit includes all of the hardware necessary for side-by-side rack mounting of two 3½-inch high instruments (Models 182, 428, 486, 487, 776, 2000, 2001, 2002, 2010, 2304, 2400, 2410, 2420, and 7001). The rack mounting kit can be installed in a standard 19-inch rack.

Parts List

The following parts are supplied with the Model 4288-5 Dual Fixed Rack Mounting Kit:

Quantity	Description	Keithley part number
Assembly		
1	Chassis	4288-5-301
2	Bracket, rear support	BR-21
1	Front panel	4288-5-303
1	Front panel, blank	4288-5-304
2	Clamp (for all 3½-inch products other than the Model 776)	4288-4-302
2	Clamp (for Model 776 only)	4288-4-305
2	Spacer (for all 3½-inch products other than the Models 2000, 2010, 2400, and 776)	4288-4-304
Fasteners		
Rear support brackets to chassis:		
4	10-32 Kepnut	10-32KEPNUT
4	10-32 × 3/8 Phillips pan head screw	10-32×3/8PPH
Rear support brackets and front panel to rails:		
8	Fastener, captive nut	FA-148
8	10-32 × 5/8 Phillips pan head screw	10-32×5/8PPH
Clamps to chassis:		
4	8-32 × 3/8 Phillips pan head screw	8-32×3/8PPH
Spacer to fastener:		
4	Plastic fastener	FA-240

Rack preparation

1. Select a location in the rack. The assembly will use $5\frac{1}{4}$ inches of vertical space.
2. Hold up the front panel at the selected location in the rack. The four slotted mounting holes in the front panel dictate the location of the captive nut fasteners on the four rack rails.
3. Referring to Figure 1, install the four fasteners so the captive nuts are located behind the appropriate holes on the front rack rails.

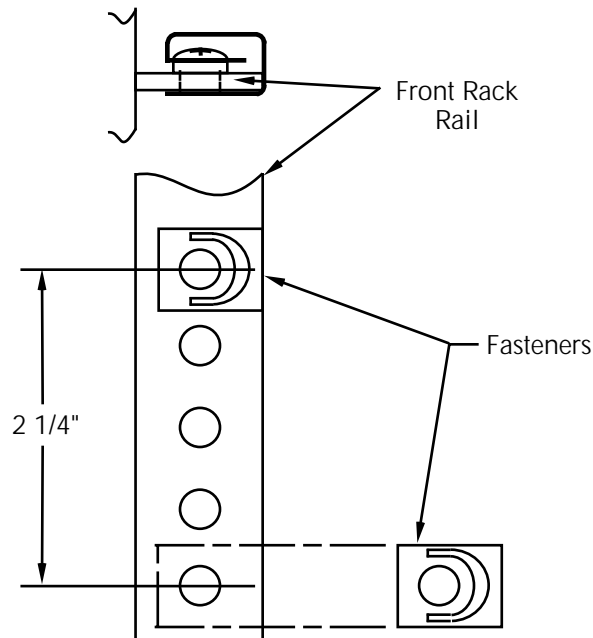


Figure 1
Fastener installation

Instrument preparation

1. Remove the handles from the instruments. There are two styles of handles; the newer style has orientation arrows at each handle end that are molded into the plastic. With the old style handle, rotate it to the uppermost position. With the new style, rotate it under the instrument until the arrows on the handle line up with arrows on the mounting ears. Pull out on the handle ends until the handle is clear of the mounting ears, and then remove the handle.
2. Remove the screw that secures each mounting ear to the case, and remove both mounting ears.

NOTE

Save all removed parts for reinstallation if the instrument is removed from the rack in the future.

Mounting kit installation

Refer to Figure 2 to install the chassis, support brackets, and front panel in the rack and to attach the instruments to the chassis.

1. Loosely attach the rear support brackets to the chassis with Kepnuts and 10-32 \times 3/8 screws.
2. Position the chassis assembly to the front and rear rack to adjust the rear support brackets and note the position for the captive nut fasteners on the rear rack rails.
3. Install the four fasteners so the captive nuts are located behind the appropriate holes on the rear rack rails.
4. Loosely attach the chassis assembly to the front and rear rack rails with 10-32 \times 5/8 screws. Secure the rear support brackets to the chassis.
5. Loosely attach the front panel to the rack rails.
6. For all but the Models 2000, 2010, 2400, and 776, install the spacer as shown in Figure 3. The spacer is not used for these four models.

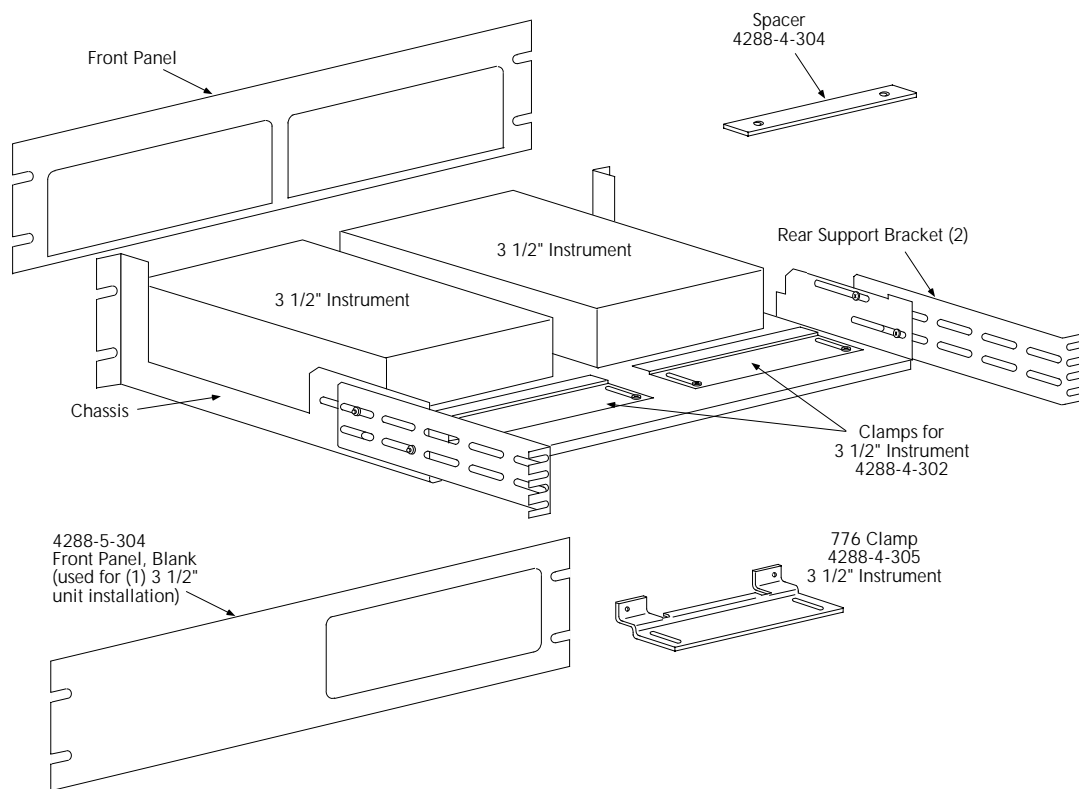


Figure 2
Mounting kit installation

Mounting kit installation for all instruments, except Model 776

1. Slide the instruments onto the chassis shelf from the rear of the rack. The feet of each instrument will fit into holes in the shelf.
2. Attach the clamps to the chassis shelf with 8-32 \times 3/8 screws. The clamps should extend over the lip on the rear panel of the instruments. Note that there are two sets of mounting holes for clamping 3½-inch high instruments of different lengths.
3. Tighten all screws.

Mounting kit installation for Model 776:

1. Remove the two lower rear panel screws from the Model 776.
2. Slide the instrument onto the chassis shelf from the rear of the rack. The feet of the Model 776 will fit into holes in the shelf.
3. Position the clamp against the rear panel as shown in Figure 2.
4. Reinstall the two rear panel screws through the clamp (4288-4-305).
5. Attach the clamp to the chassis with 8-32 \times 3/8 screws.
6. Tighten all screws.

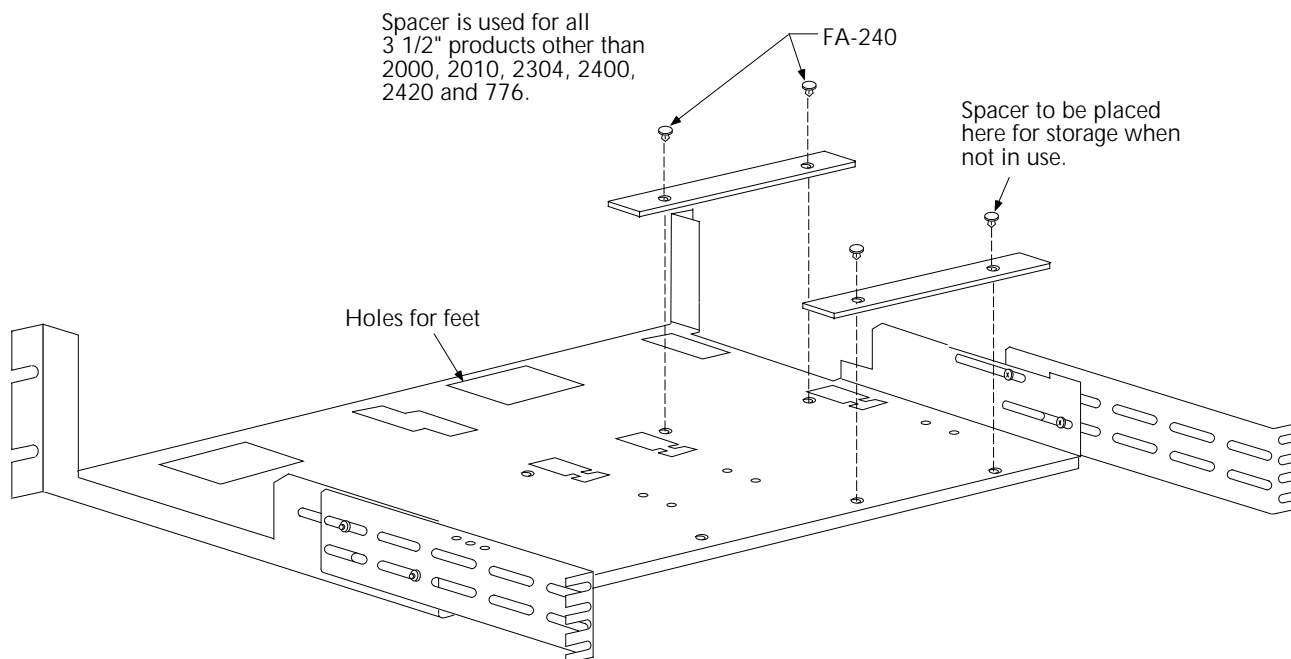


Figure 3
Spacer installation